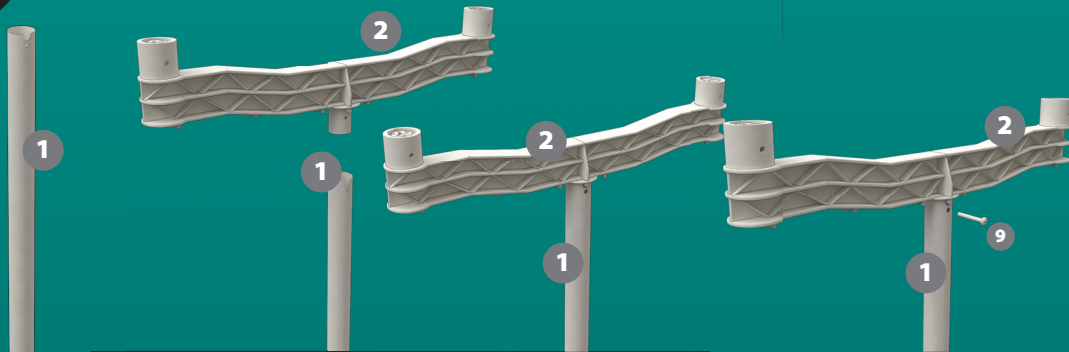
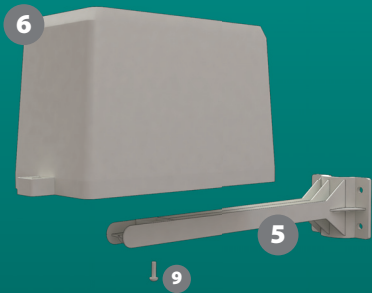




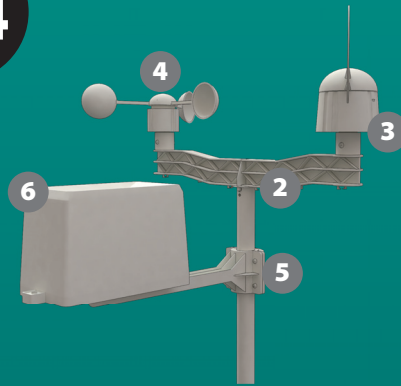
1



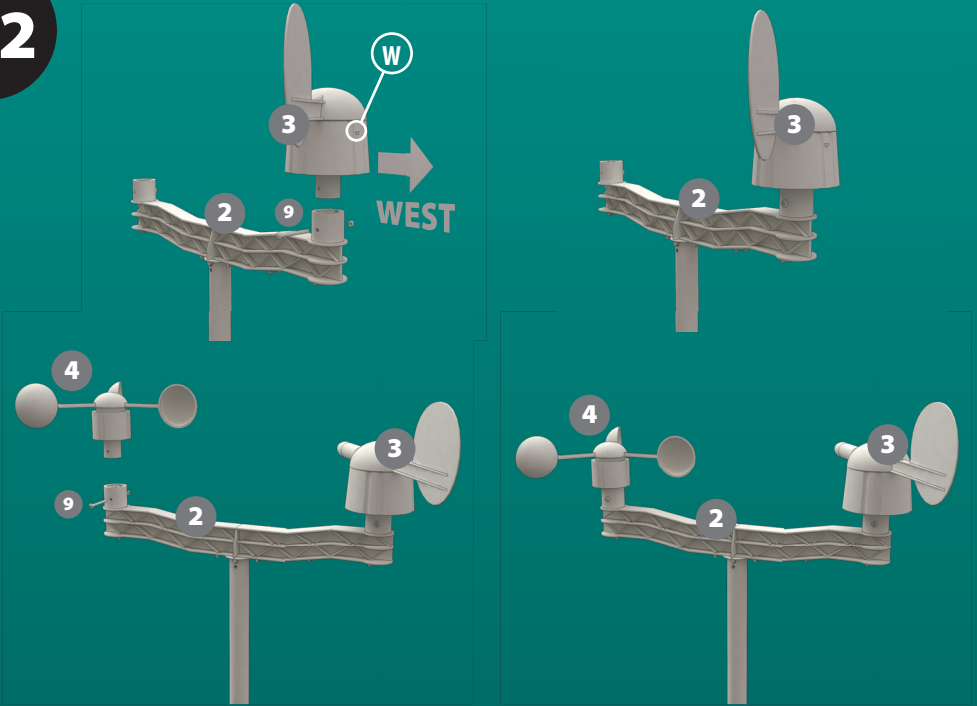
3



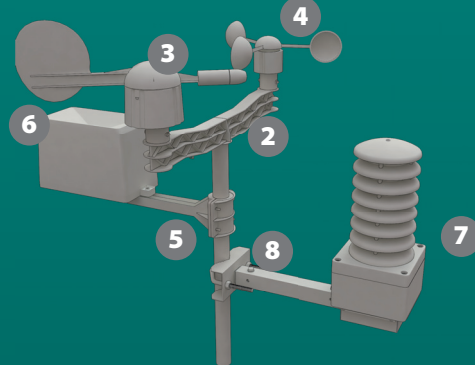
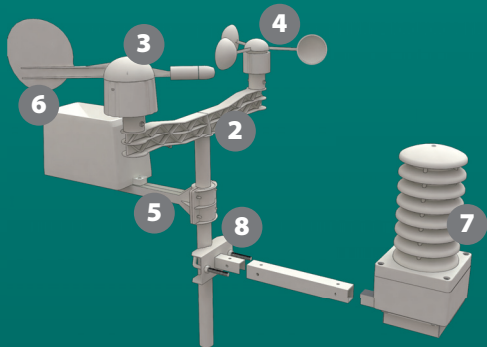
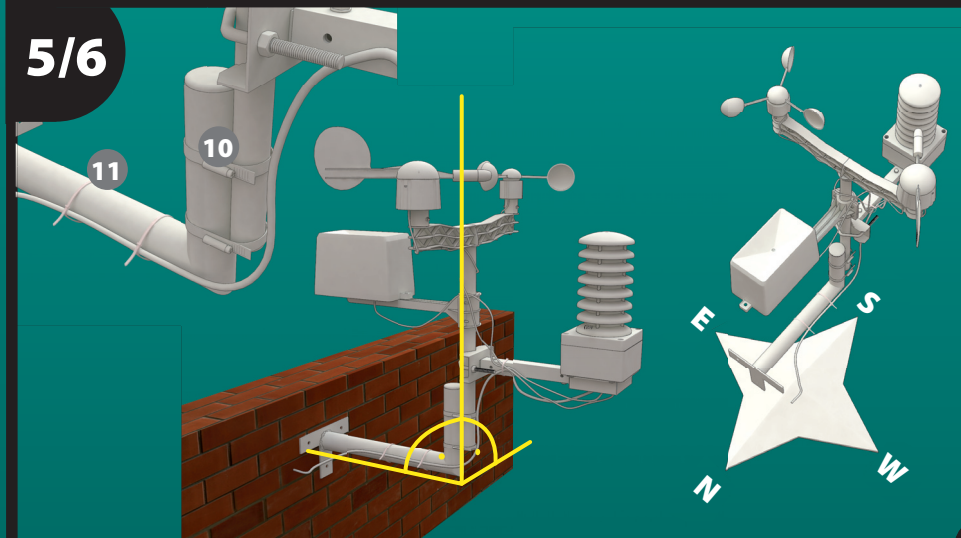
4



2



5/6



7

Optional temperature and humidity sensors

Wind speed and wind direction sensor

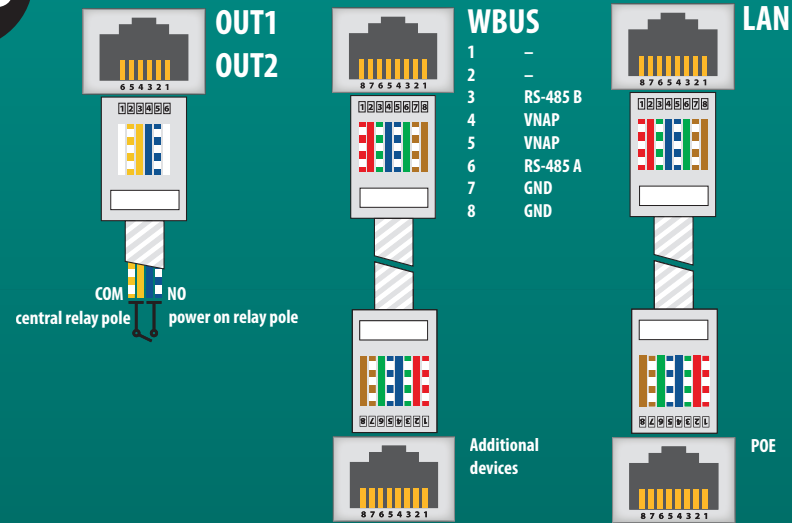
POE adapter data cable

Rain gauge

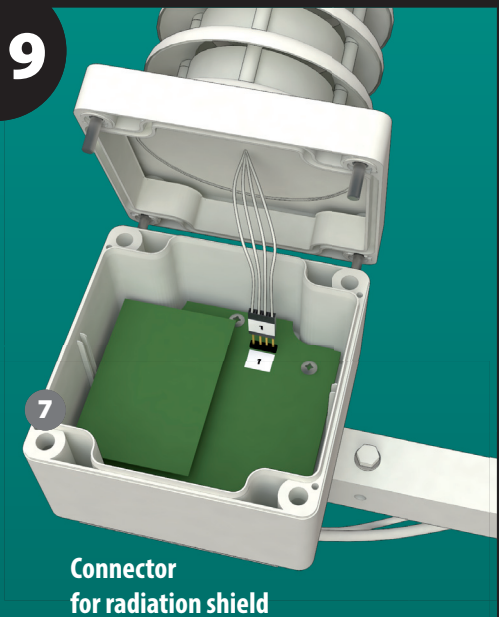
WBUS interface data cable connection

Control relay outputs

8



9



10

Caption / Components

- 1 2pcs telescopic sections of the mounting pole
- 2 1pc plastic mounting arm for the wind speed and wind direction sensor
- 3 1pc wind direction sensor
- 4 1pc wind speed sensor
- 5 1pc rain gauge arm
- 6 1pc rain gauge
- 7 1pc box with the control unit, radiation shield for the combined sensors and metal arm
- 8 1pc arm for attachment of the weather station to the console with a U screw
- 9 5pcs connection screws
- 10 2pcs installation clips for the console and telescopic part of the mounting pole
- 11 4pcs tightening belts
- 12 1pc power supply (PoE)
- 13 2pcs LAN data cables

